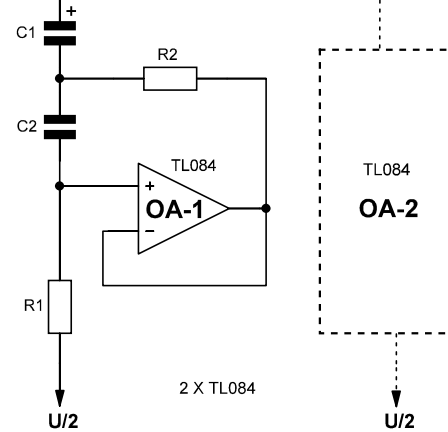


Q ~ 2 (2/3 Octaves)

F[Hz]	C1	C2	R1	R2
50	3µ3	68n	82K	510
100	1µ5	47n	68K	510
200	820n	15n	100K	510
400	390n	10n	75K	510
800	220n	3n9	100K	470
1600	100n	3n3	56K	510
2400	68n	2n2	56K	510
3200	56n	1n5	62K	470



## GRAPHIC EQUALISER FOR SSB

YO4HFU - 2012